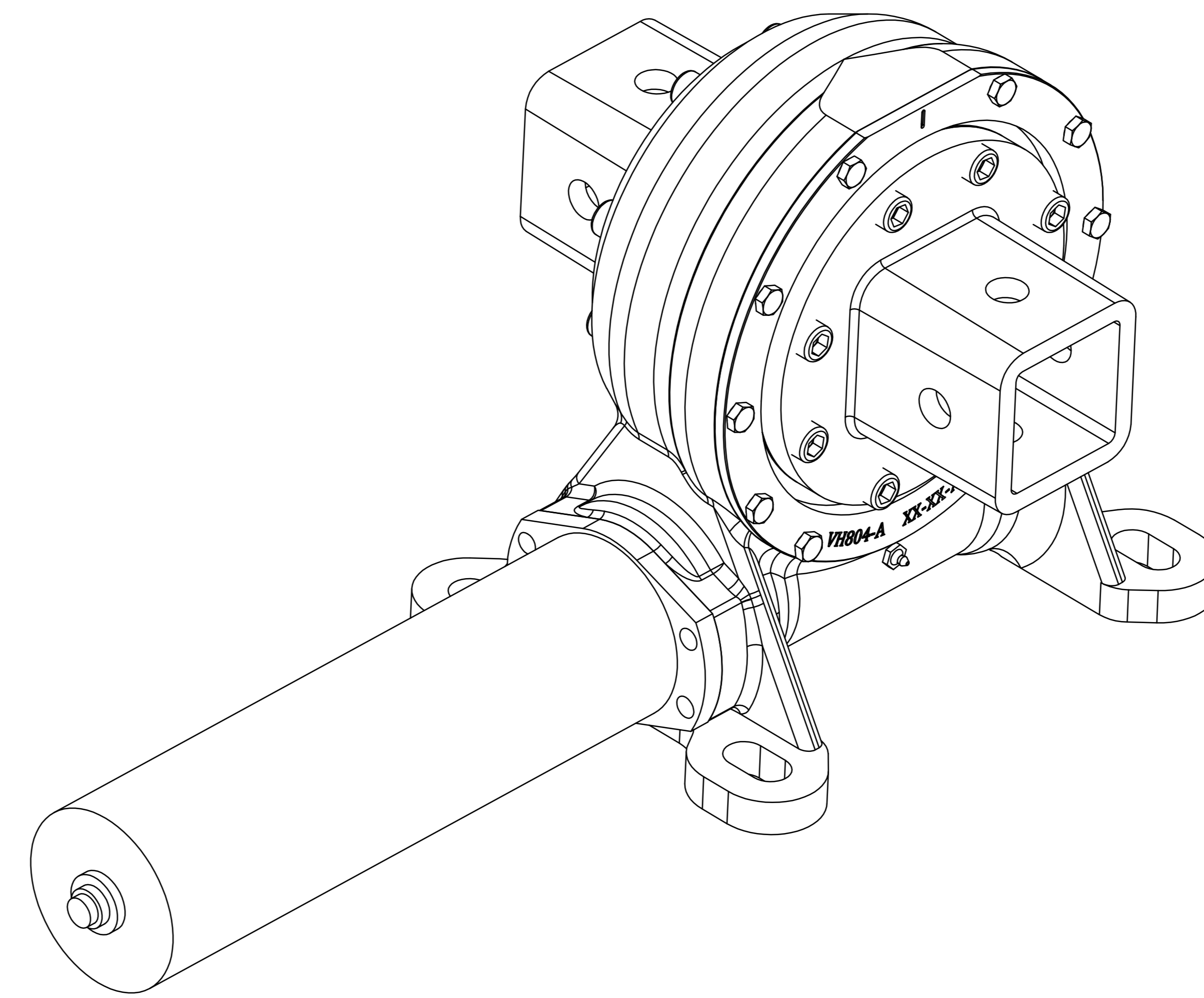
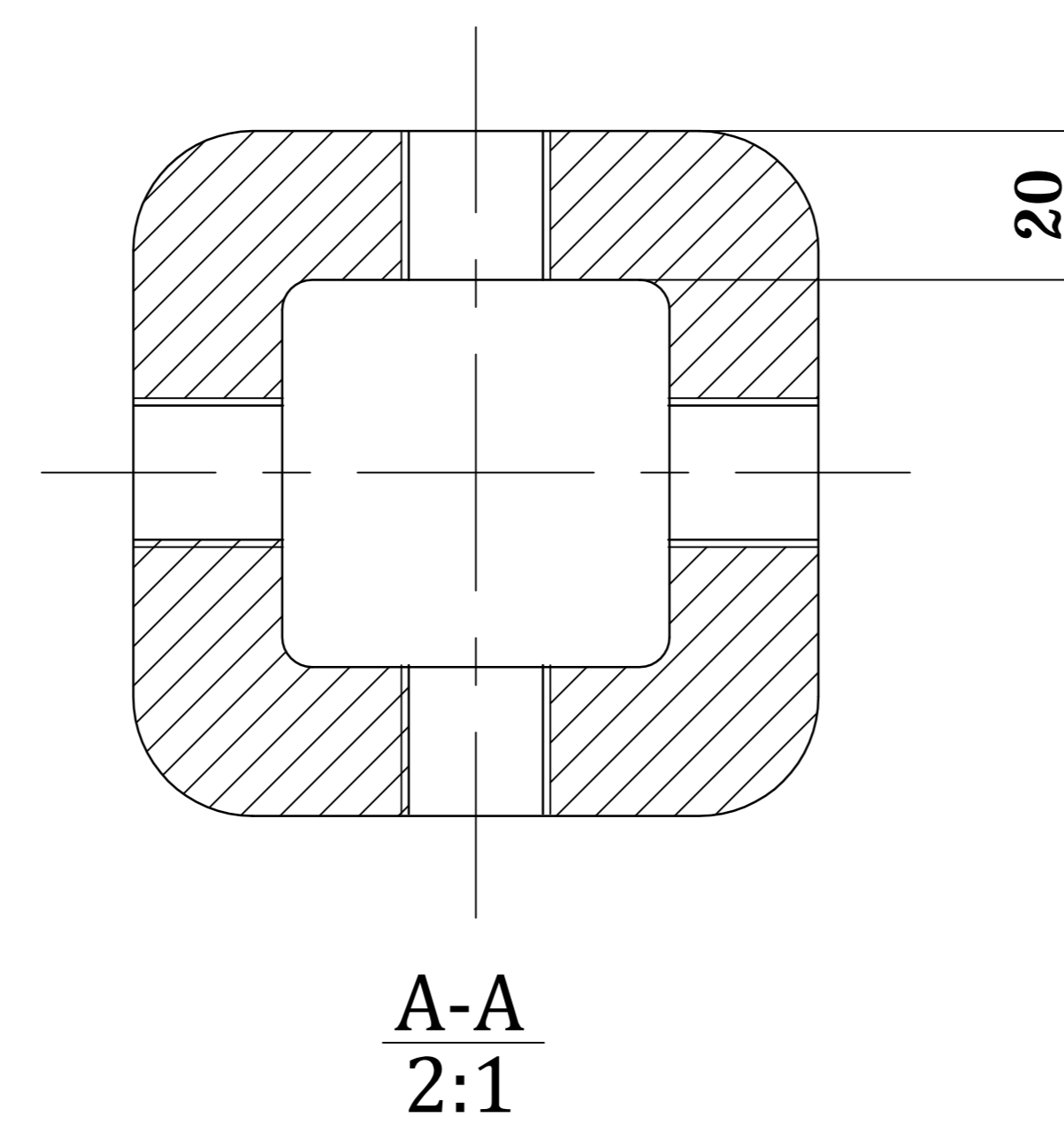

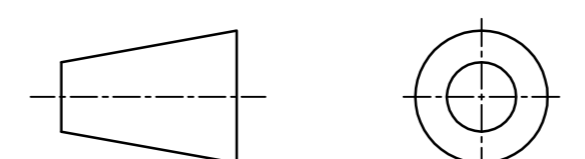


Wire Define:
 Pin 1 (black) motor -
 Pin 2 (red) motor +
 Pin 2 (green) ground



Slewing Drive Performance Parameters	
Rated Output Speed	0.025 rpm
Rated Output Torque	6300 N.m
Max. Output Torque	8400 N.m
Tilting Moment	10 kN.m
Holding Torque	42 kN.m
Static Axial Rating	100 kN
Static Radial Rating	65 kN
Dynamic Axial Rating	60 kN
Dynamic Radial Rating	45 kN
Gear Ratio	60 : 1
Hard Limit	±60°
Precision	≤ 0.2 °
Corrosion Protection	C3
IP Class	IP65
24VDC Motor Performance Data	
Rated Output Torque	300 N.m
Rated Output Speed	1.5 rpm
IP Class	IP 65
Rated Current	≤6.5A

REV	DATE	REVISER	REVISER			
DESIGNED BY	2020/2/15	Li Ming	 www.coresundrive.com Coresun Drive Equipment Changzhou Co.,Ltd.			
CHECKED BY	2020/2/15	Yin Jing				
APPROVED BY	2019/2/15	Shane Zhang				
ALL PROPRIETARY RIGHTS IN THE SUBJECT MATTER HERE OF ARE RESERVED, AND NO PERMISSION IS GRANTED OR TO DISCLOSE REPRODUCE THIS PRINT IN WHOLE OR IN PART, ANY OF THE INFORMATION TO OTHERS.			WEIGHT	SCALE	<h1>Slewing Drive</h1>	
				1 : 5		
SYMBOLS ISO			SIZE	A3	VH7-60S92-RC-2415300	REV
			SHEET	1 / 1		A